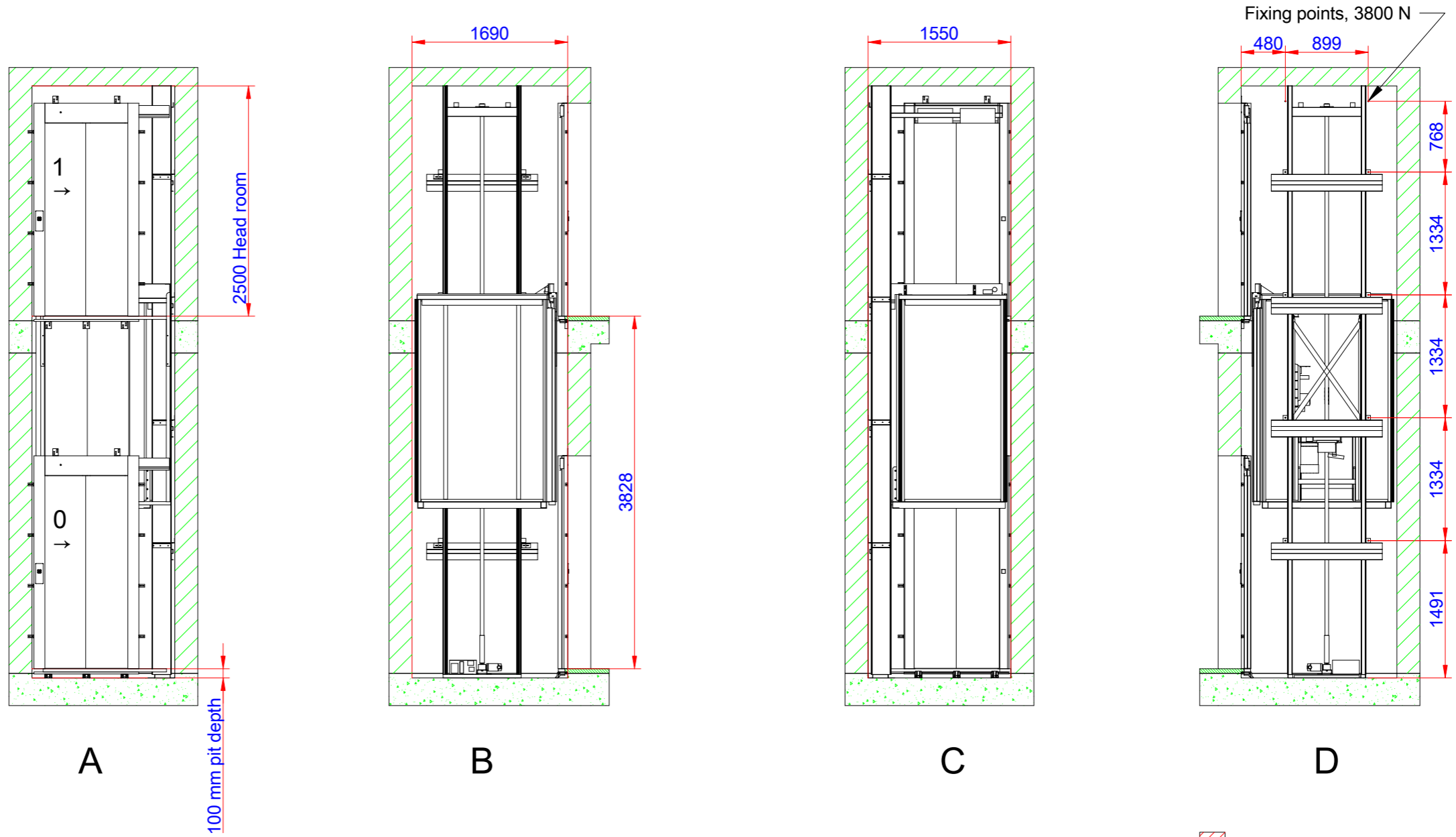
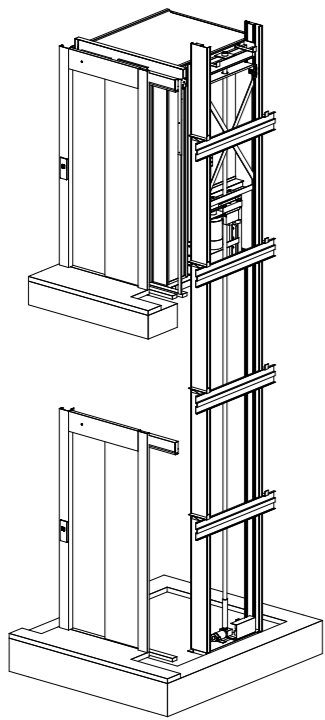
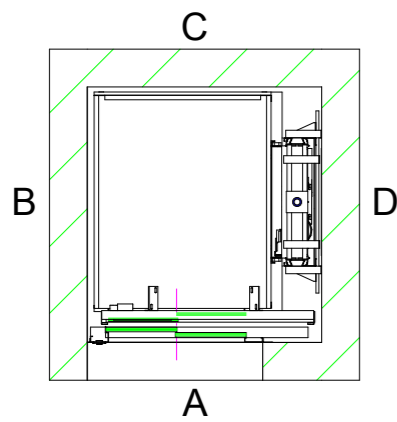


# Lift overview

(Cutout dimension see sheet 2, forces see sheet 3  
detailed installation information, see separate instructions)



Positioning of machinery:



Lift unit installed within a shaft by others

**Specification**  
4 kW Frekv 3x400V 50-60 Hz Soft  
Capacity: 630,00 kg

Approved by  
builder:

European view placement:

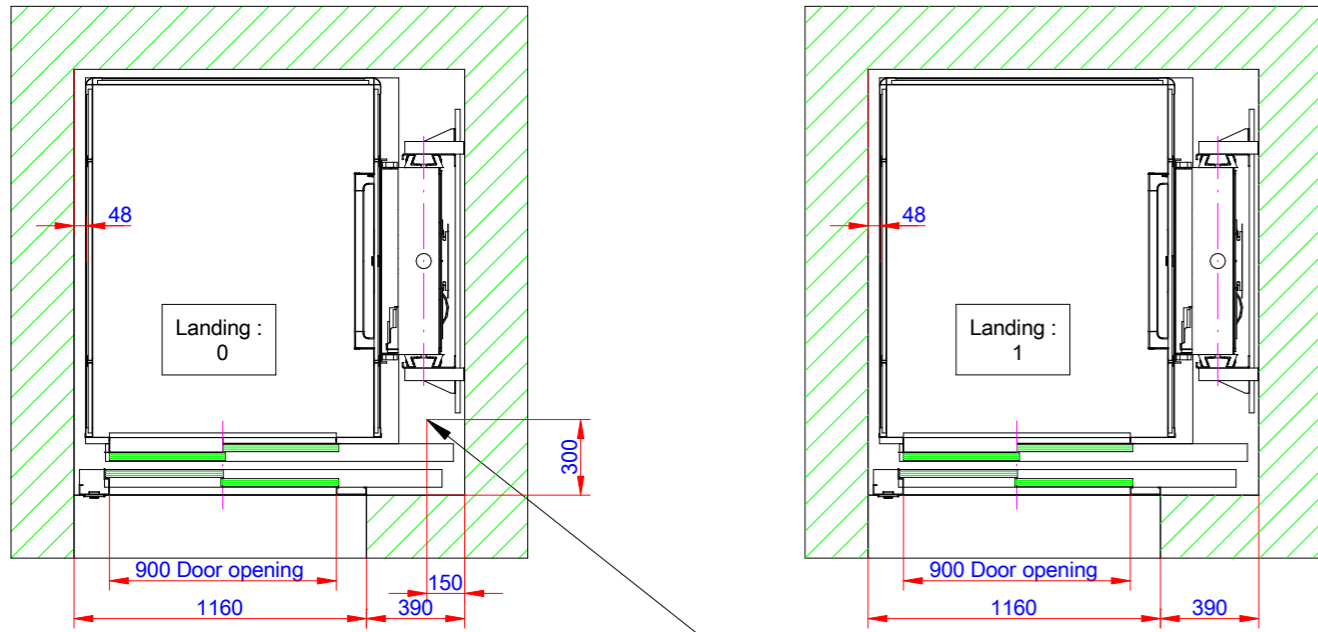


EOS ID	
Tender no	
Order no	
Gen. Tolerances	Date
SS-ISO 27681-1 m	

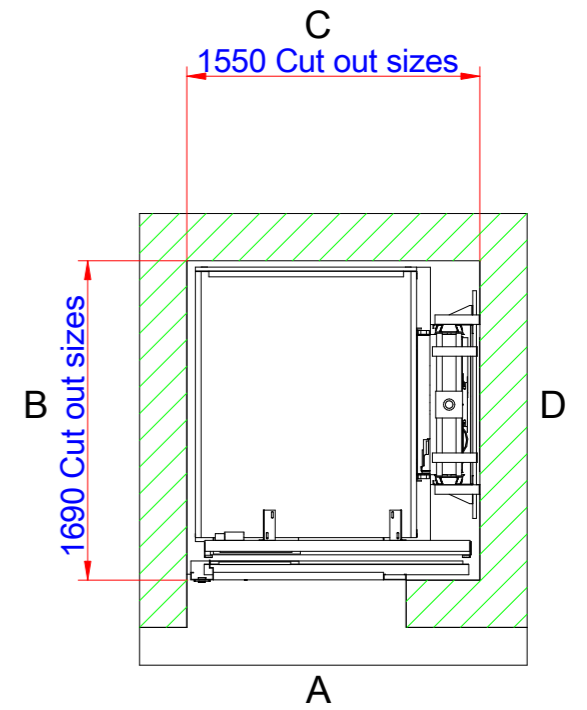
**Principal drawing**  
C1-Pure - 1100\*1400  
Lift overview

sheet	Scale:
1 of 6	A3, 1:1

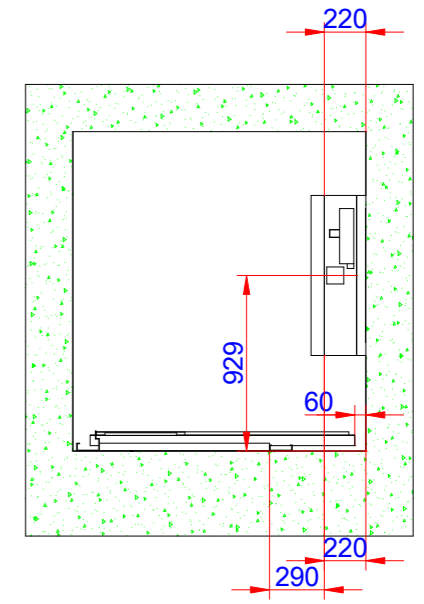
# Cutout sizes for shaft and doors



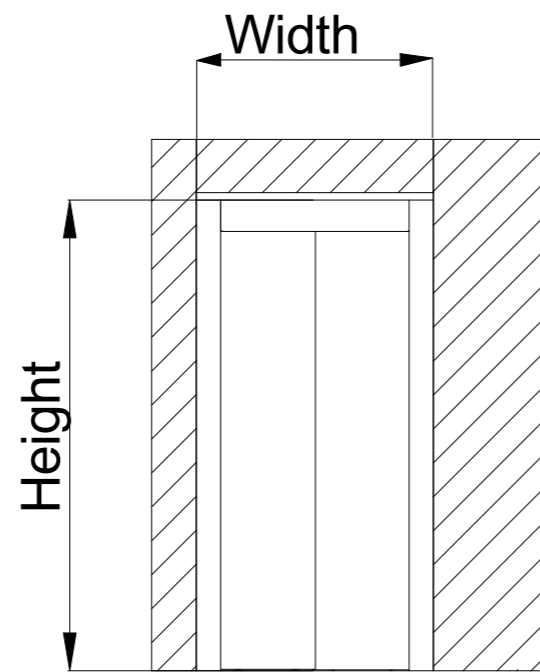
Power supply & telephone cable connection point



100 mm pit depth + 10 mm, - 0 mm. Bottom surface must be flat



Door front cutout sizes			
Landing	Door type	Width	Height
A 0	CS0	1160	2300
A 1	CS0	1160	2300



Door cut out

Approved by builder:

European view placement:



EOS ID

Tender no

Order no

Gen. Tolerances

SS-ISO 27681-1 m

Principal drawing  
C1-Pure - 1100\*1400  
Cut out sizes

Date

sheet



2 of 6

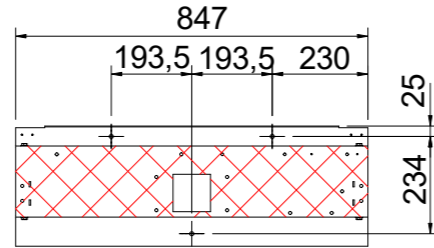
Scale:

A3, 1:1

# Loads and forces in pit and on fixing points

Loads sustained by shaft and platform and fixing points bottom frame

 Mast load: 61,26 kN/m<sup>2</sup>  
 Mast force: 13,17 kN  
 Weight on mast area: 1317



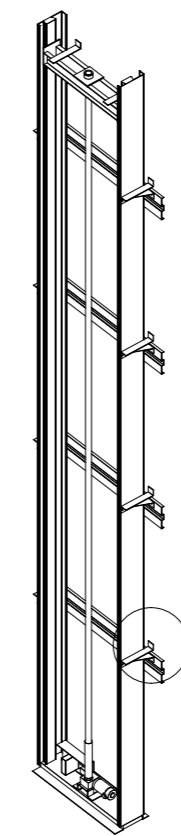
Scale: 1:20

# Fixing points guiderail

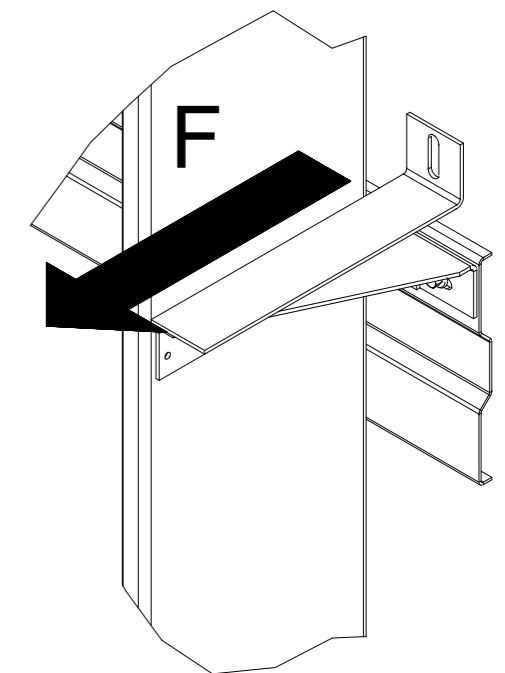
Forces:  
Fixing points shaft F: 3800 N

Recommended positioning of fixing points, general view

A ( 1:5 )

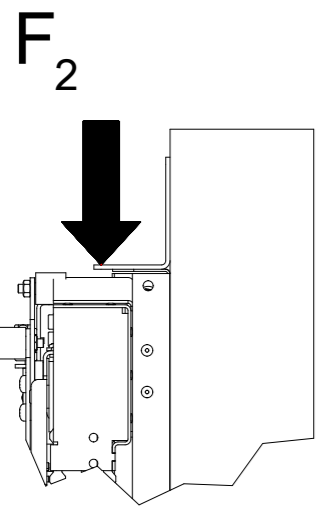


Scale: 1:50

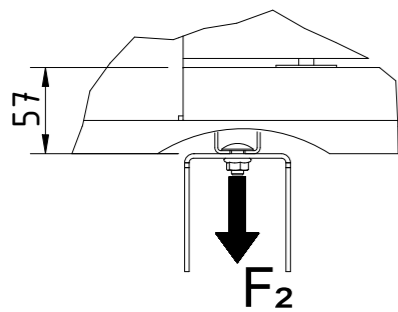


# Fixing points Shaft Doors

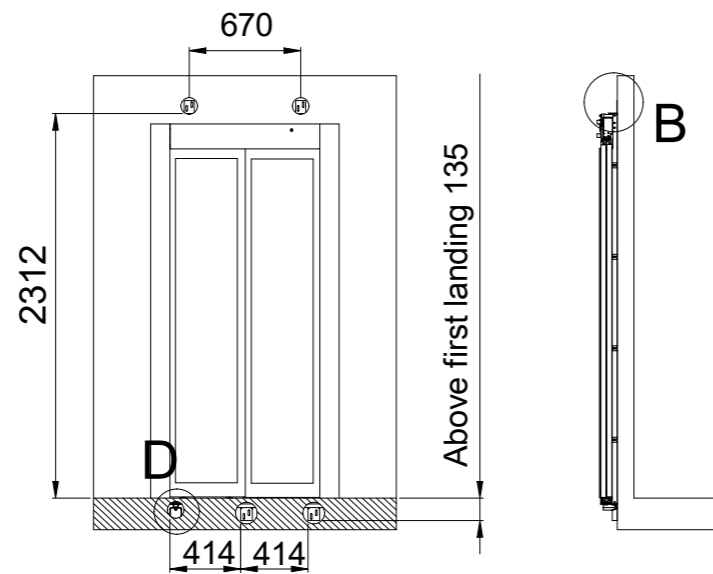
B ( 1:10 )



Landing door fixing points. Number of fixing points: 5  
Fixing points landing door F<sub>2</sub>: 1400 N



D ( 1:10 )



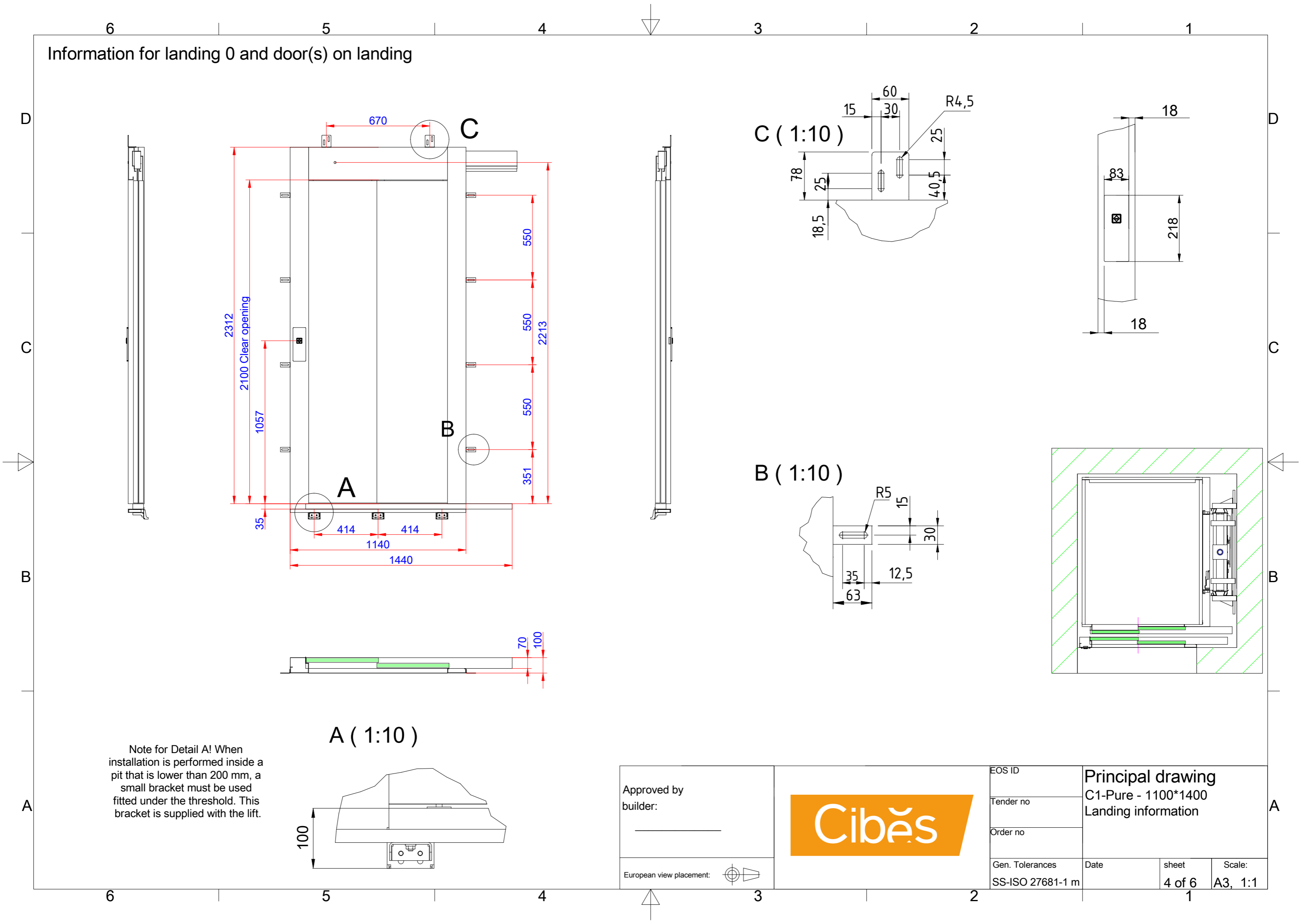
Approved by builder:

European view placement:



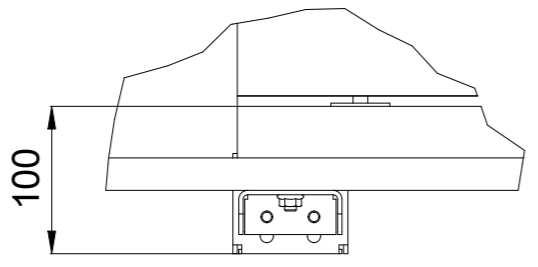
EOS ID		Principal drawing C1-Pure - 1100*1400 Loads and forces	
Tender no			
Order no			
Gen. Tolerances	Date	sheet	Scale:
SS-ISO 27681-1 m		3 of 6	A3, 1:1

Information for landing 0 and door(s) on landing

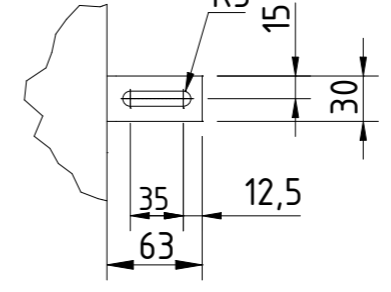


Note for Detail A! When installation is performed inside a pit that is lower than 200 mm, a small bracket must be used fitted under the threshold. This bracket is supplied with the lift.

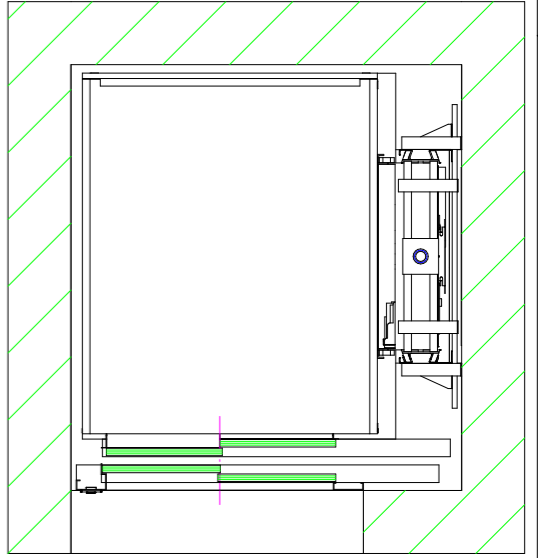
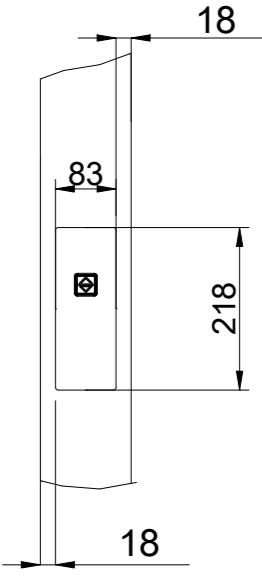
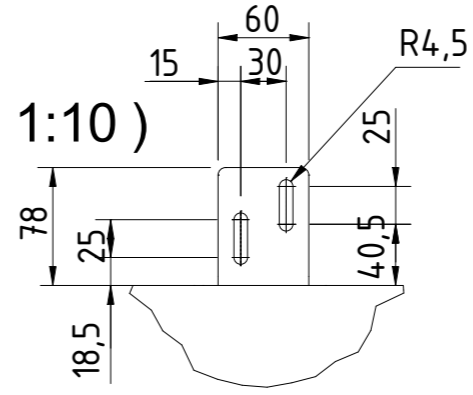
A ( 1:10 )



B ( 1:10 )



C ( 1:10 )



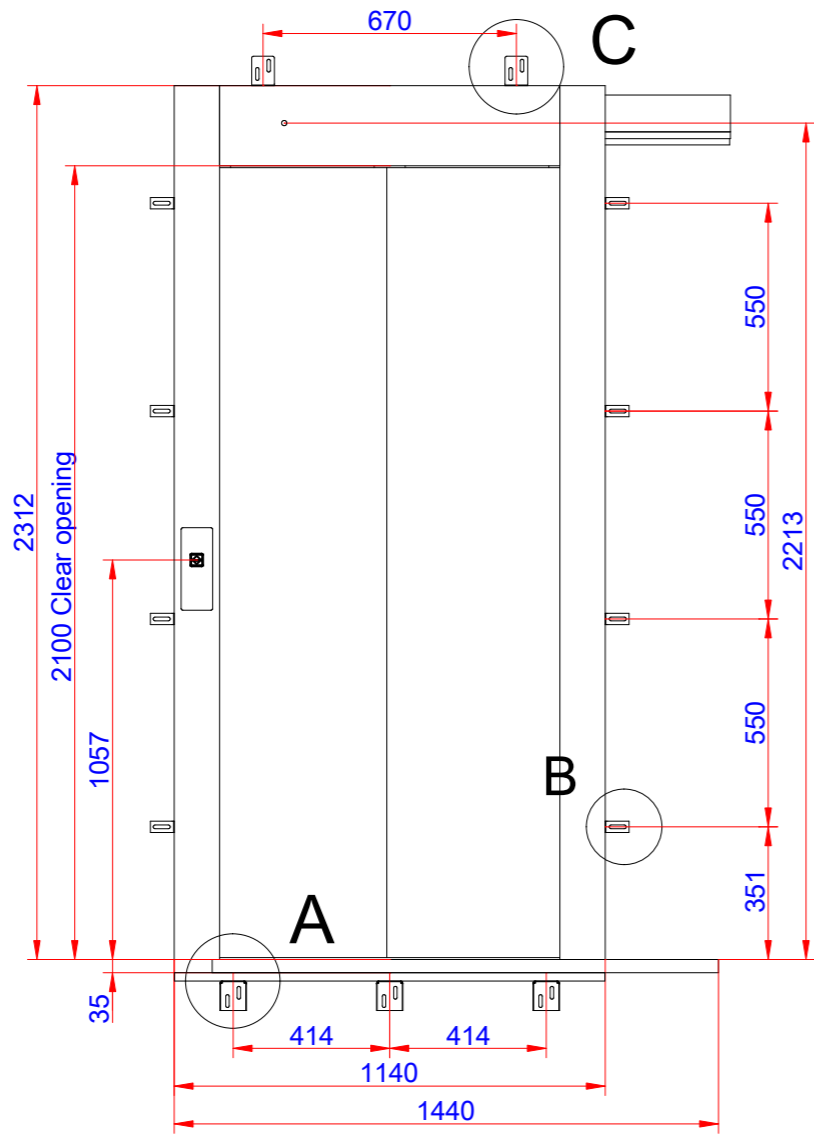
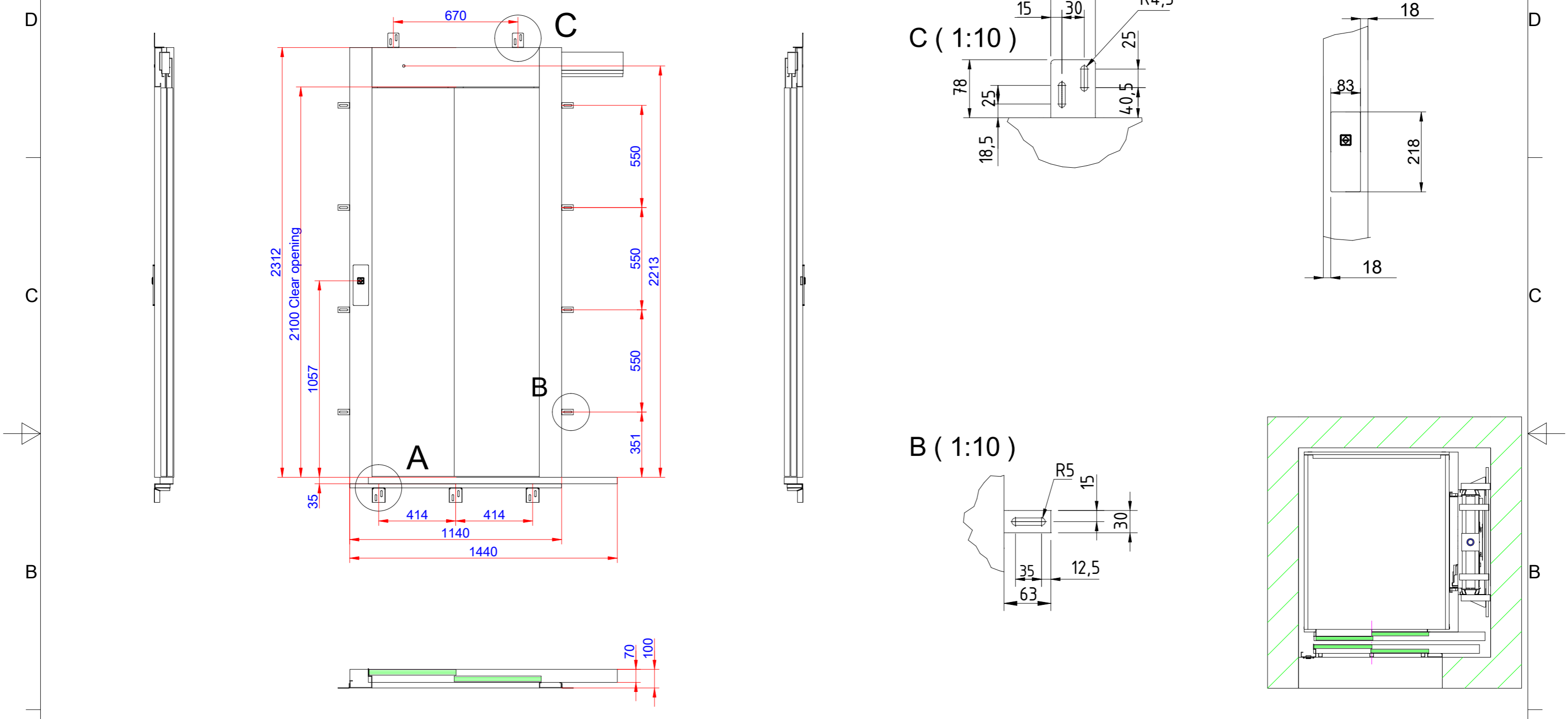
Approved by builder:  
\_\_\_\_\_  
European view placement:



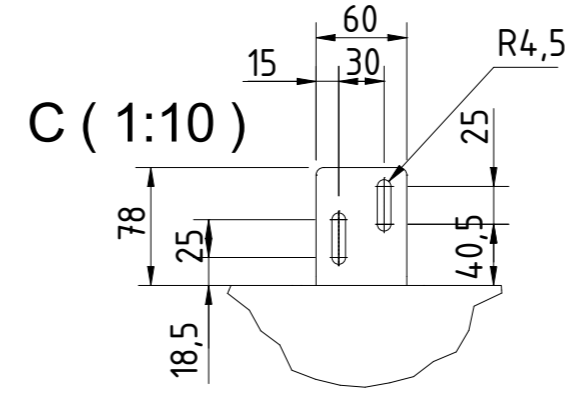
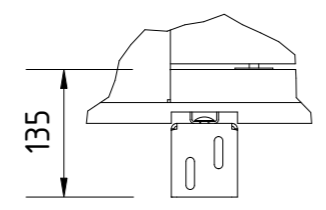
EOS ID  
Tender no  
Order no  
Gen. Tolerances  
SS-ISO 27681-1 m

Principal drawing  
C1-Pure - 1100\*1400  
Landing information  
Date  
sheet 4 of 6  
Scale: A3, 1:1

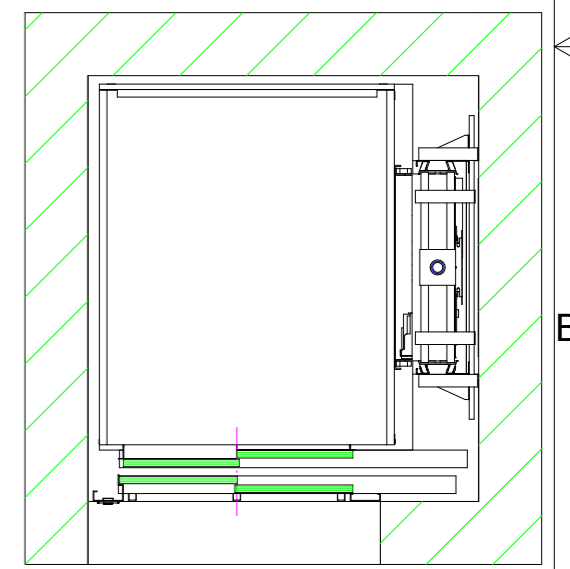
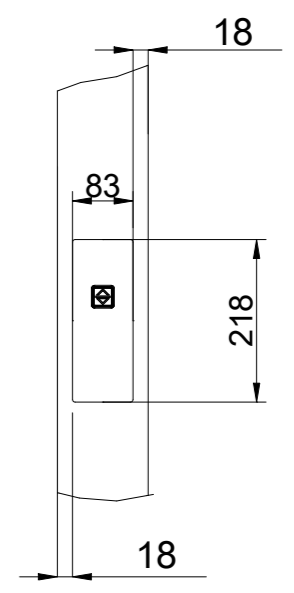
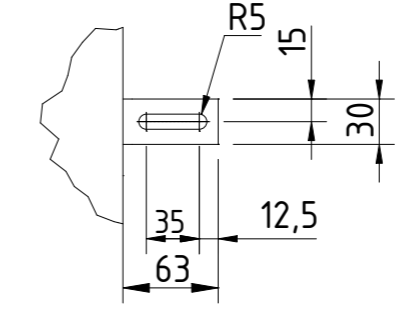
Information for landing 1 and door(s) on landing


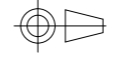


A ( 1:10 )



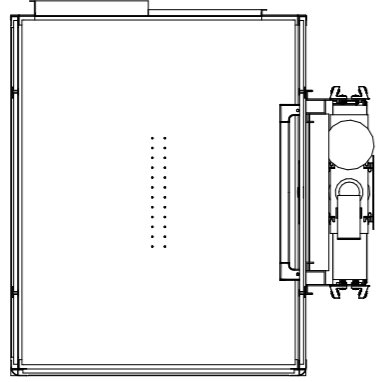
B ( 1:10 )



Approved by builder:  _____			EOS ID		Principal drawing C1-Pure - 1100*1400 Landing information
			Tender no		
European view placement: 	Order no		Date		sheet
	Gen. Tolerances SS-ISO 27681-1 m		Date		5 of 6

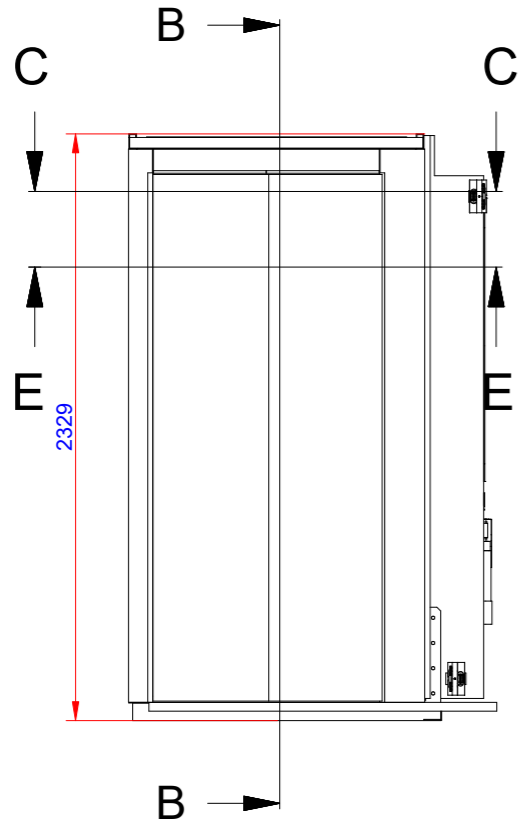
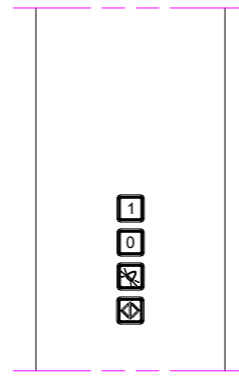
Cabin layout

E-E ( 1:30 )

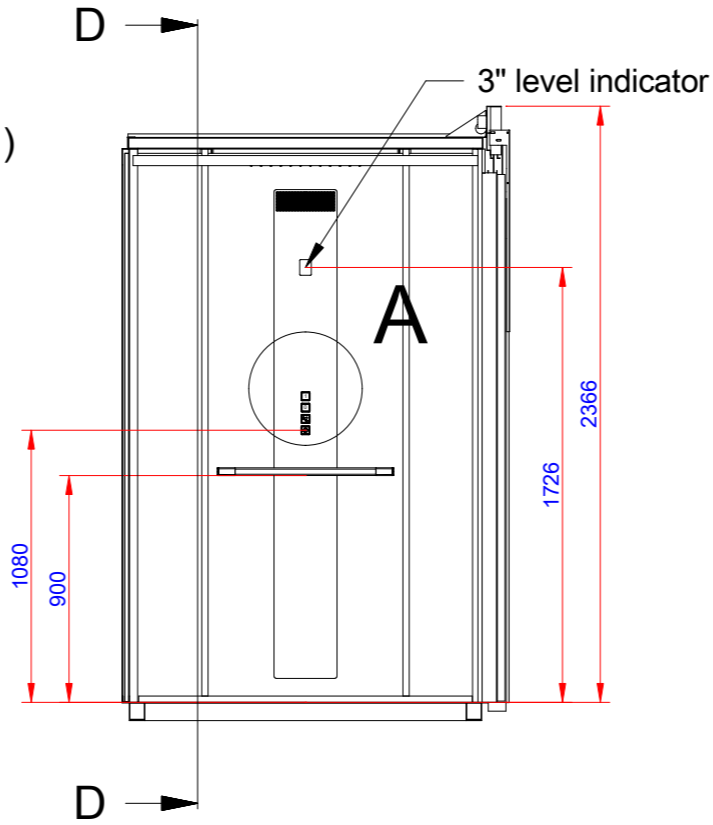


Button layout

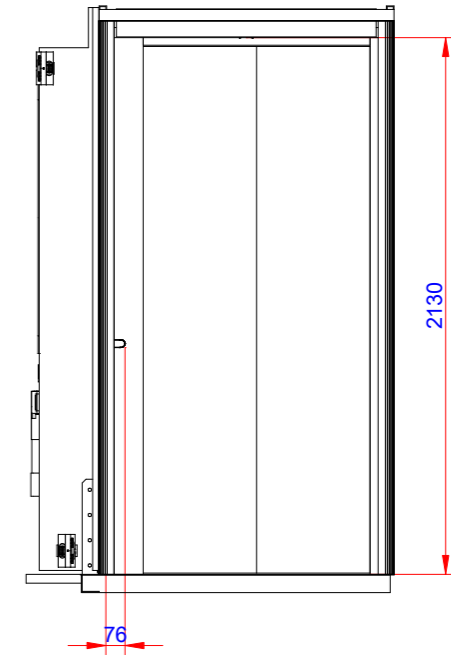
A ( 1:10 )



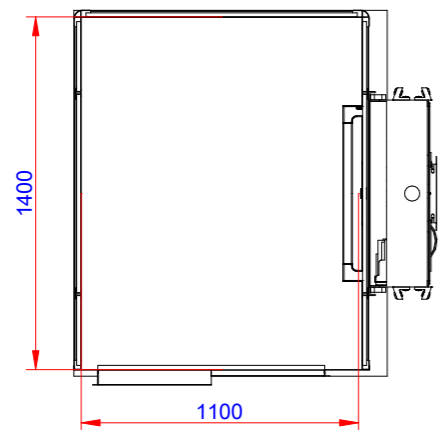
B-B ( 1:30 )



D-D ( 1:30 )



Cabin dimensions  
C-C ( 1:30 )



Approved by  
builder:

European view placement:



EOS ID

Tender no

Order no

Gen. Tolerances

SS-ISO 27681-1 m

Principal drawing  
C1-Pure - 1100\*1400  
Cabin layout

Date

sheet

6 of 6

Scale:

A3, 1:1